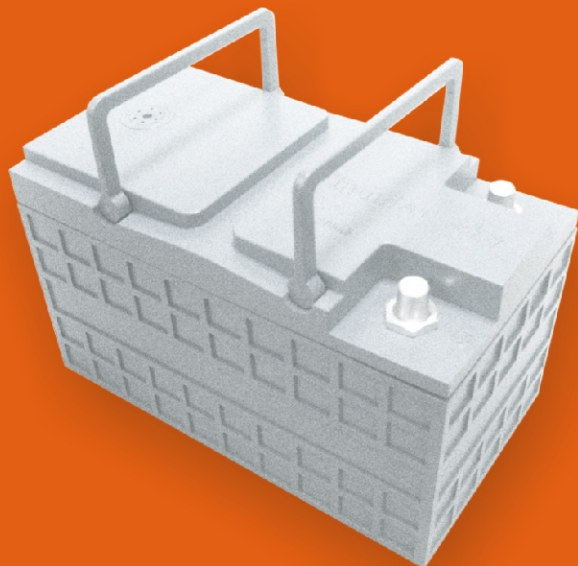


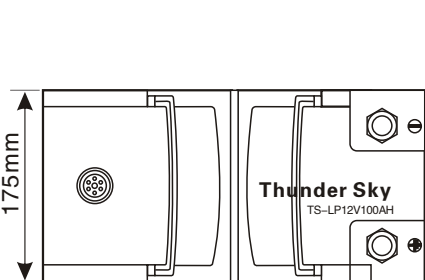
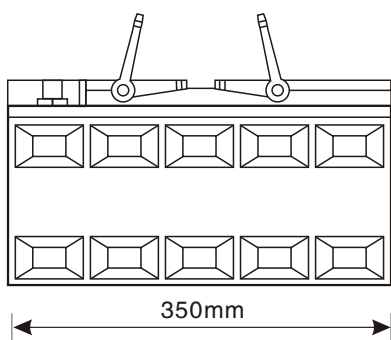
燃油汽車起動專用鋰電池技術說明

SPECIFICATIONS OF LI-ION STARTING-UP POWER BATTERY FOR FUEL CAR

單體電池尺寸 DIMENSIONS



型號(MODEL): TS-LP12V100AH



技術參數 SPECIFICATIONS

型號(MODEL): TS-LP12V100AH		
標稱容量 Nominal Capacity	100Ah	
工作電壓 Operation Voltage	10v-17v	
最大充電電流 Max Charge Current	恒電流 (Constant Current)	50A
	脈衝式 (Impulse Current)	瞬間 Instant current 1000A
最大放電電流 Max Discharge Current	恒電流 (Constant Current)	≤ 100A
	脈衝式 (Impulse Current)	≤ 1000A
適應環境 Operating Temperature	充電 (Charge)	-30°C~75°C
	放電 (Discharge)	-30°C~75°C
殼體耐溫性 Temperature Durability Of Case	≤ 200°C	
自放電率(月) Self-discharge Rate	≤ 5% (Monthly)	
使用壽命(年) Cycle Life(Year)	5-10	
重量 Weight	14kg ± 200g	

備注:

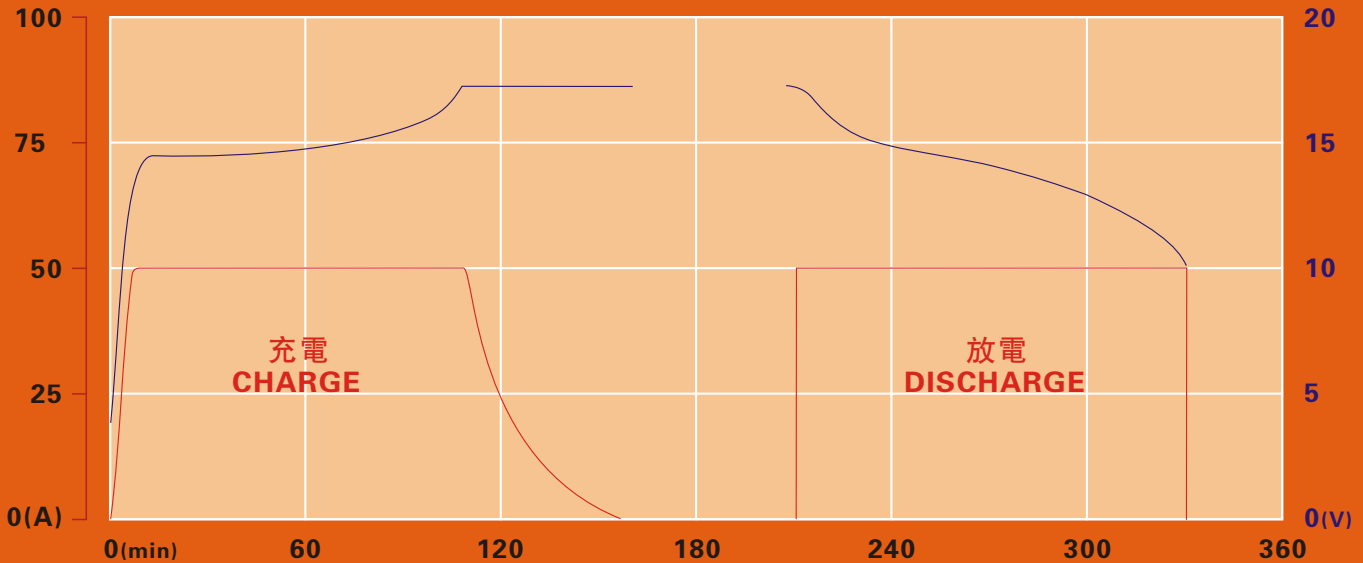
本產品專門配套給燃油汽車作12V起動用電池,使用時可直接與原汽車上連接12V鉛酸電池的正、負極連接綫相連便可。

Remark:

This 12V Li-Ion battery is specially designed for fuel car as starting-up power battery. Please connect the battery to the cathode and anode connection port of the 12V Lead-acid battery that it replace for.

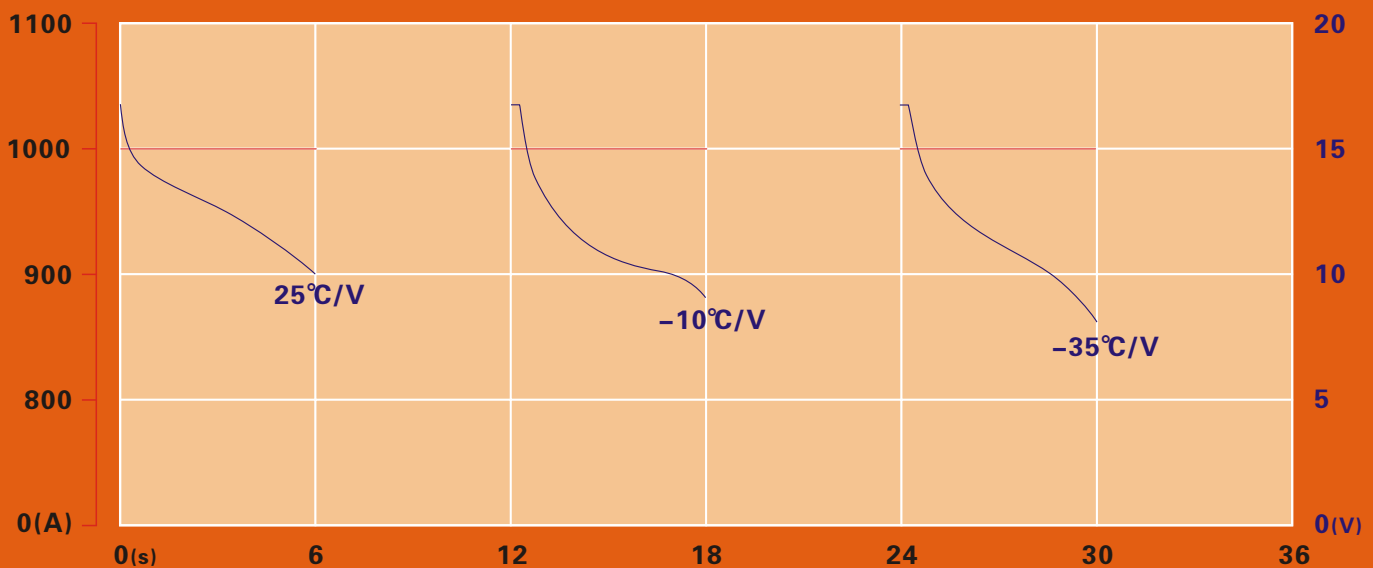
TS-LP12V100AH型電池的充放電特性

TS-LP12V100AH CHARGE & DISCHARGE CHART



▲ TS-LP12V100AH在25°C環境下50A充放電特性

TS-LP12V100AH CHARGE AND DISCHARGE BY 50A AT TEMPERATURE OF 25°C



▲ TS-LP12V100AH在不同溫度環境下的脈衝放電特性

TS-LP12V100AH IMPULSE DISCHARGE AT DIFFERENT TEMPERATURE